

- 4/20 mA OUTPUT IN 5 STEPS
- OPERATES AS A CURRENT SOURCE OR 2 WIRE SIMULATOR
- HIGH ACCURACY $\pm 0.07\%$ OF F.S.R.
- OVERLOAD INDICATION WHEN LOOP RESISTANCE IS HIGH OR OPEN
- LOW BATTERY INDICATION
- OPERATES ON COMMON 9V BATTERY



GENERAL DESCRIPTION

The DEVAR Mini-Source current calibrator is an easy to use, low cost, portable current source designed for calibrating and troubleshooting current loop receivers and transmitters. A single push-button allows the user to select one of 5 current outputs (4,8,12,16,20 mA) which can drive loads up to 300 Ohms or act as a 2 wire simulator with an external loop power supply of up to 30 VDC. This unique combination of high accuracy, shirt pocket size, and low cost makes the Mini-Source a valuable tool for all current calibration applications.

APPLICATIONS

The Mini-Source is a rugged, high accuracy calibrator designed for industrial applications. It has the ability to troubleshoot or calibrate any 4/20 mA device such as panel meters, chart recorders, two wire transmitters, data acquisition equipment and other types of process monitoring instruments

MODEL 18-MSC SPECIFICATIONS

Output: 5 Current steps (4,8,12,16,20 mA)

Accuracy: ± 0.075 of full scale

Voltage Compliance:

Source: Internal 9 Volt battery

Simulate: External Supply - up to 30 Vdc

Temperature Stability: 100 ppm/ $^{\circ}$ C

Power Supply: 9 Volt Alkaline battery

Protection Fuse: Type 8AG 250V, 1/16A

Battery Life: 50 hours at 4 mA out

Temperature Range:

Operating: 0 $^{\circ}$ to 50 $^{\circ}$ C

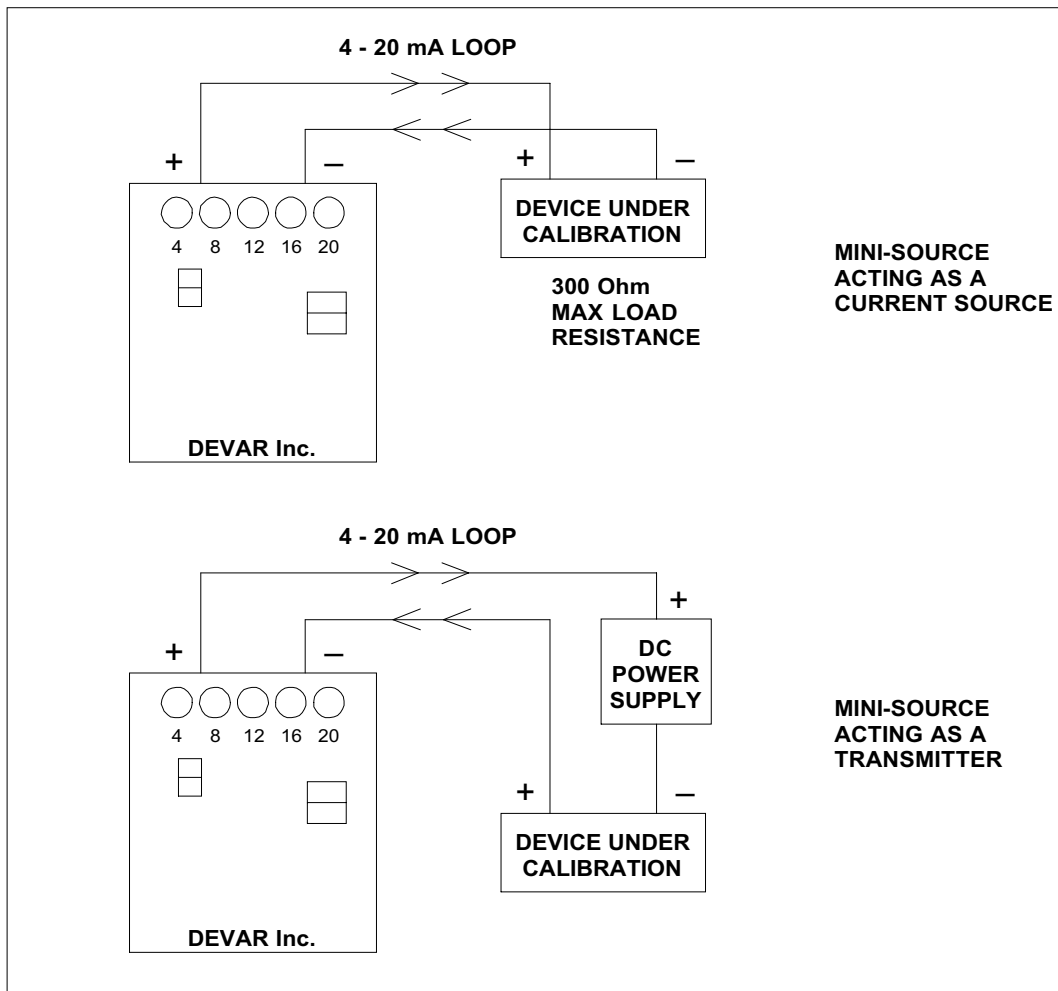
Storage: -25 $^{\circ}$ to 60 $^{\circ}$ C

Output Terminations: Two alligator clips on 8" leads.

Size: 3.8" x 2.4" x 1.0"

Unit furnished with standard belt clip

WARRANTY: 1 YEAR, *Made in USA*



FIELD WIRING

DEVAR Inc.

706 Bostwick Ave., Bridgeport, CT 06605-2396

TEL: 203-368-6751, FAX: 203-368-3747

TOLL FREE: 1-800-566-6822

www.devarinc.com info@devarinc.com