

DEVAR Inc.

706 Bostwick Avenue, Bridgeport, CT 06605

TEL: 203-368-6751 FAX: 203-368-3747

1-800-566-6822 www.devarinc.com

Model 18-ZAP-10 ZONE ANNUNCIATOR PANEL



1. General Description

The Model 18-ZAP-10 Zone Annunciator Panel is a simple light box that provides indication of alarm status for up to 10 relay or switch inputs. Superbright LEDs, accompanied by an audible buzzer, clearly indicate which channels are in the alarm condition.

2. Circuit Common

Terminal 1 is circuit common, all voltages, input, output, and power supply are referenced to this point.

3. Power Requirements

The unit operates from a +24 VDC supply applied between terminals 1 and 2. The current draw is 45 mA, plus output current, when used. This voltage is required to operate the buzzer and lamp test as well as to provide output voltages at terminals 3 and 4. Individual alarm LEDs are powered from the input signal and require 10 mA per LED.

4. Inputs

The input channels are located at terminals 5 through 14. When +24 Volts is applied to one of these terminals, the corresponding LED will light and the horn will sound, indicating an alarm condition.

5. Silence Button

The alarm buzzer has 2 operating modes controlled by the silence button. Pressing the button switches from one mode to another. In the standard mode the buzzer sounds when one or more of the inputs are in alarm condition. Switching to the other mode, will silence the alarm until all alarms are removed. In this mode the buzzer will sound when there are no alarm inputs.

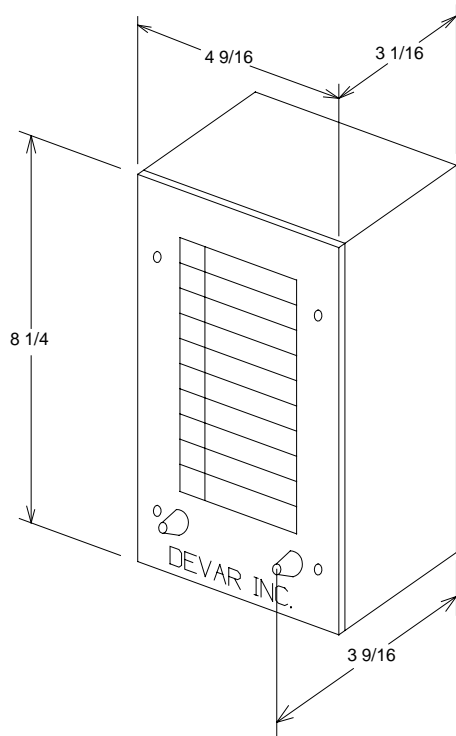
6. Test Button

Depressing the test button will light all 10 of the alarm LEDs and the alarm buzzer will sound.

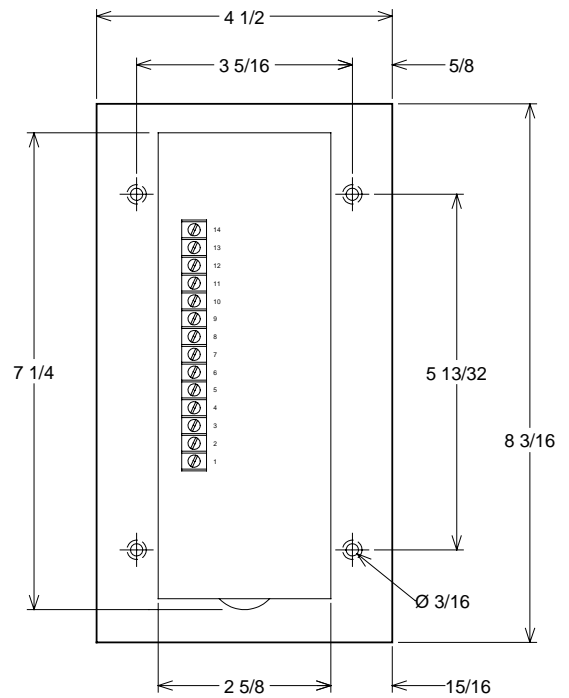
7. Outputs

The 18-ZAP-10 provides two terminals. An output voltage of approximately 23 Volts appears at terminal 4 when one or more of the inputs is in the alarm condition. An output voltage of approximately 23 Volts appears at terminal 3 when one or more of the inputs is in the alarm condition, or when the lamp test button is pressed.

NOTE: DIMENSIONS 7-1/4 x 2-5/8
 EXTEND 1-15/16 DEEP
 BEHIND PANEL

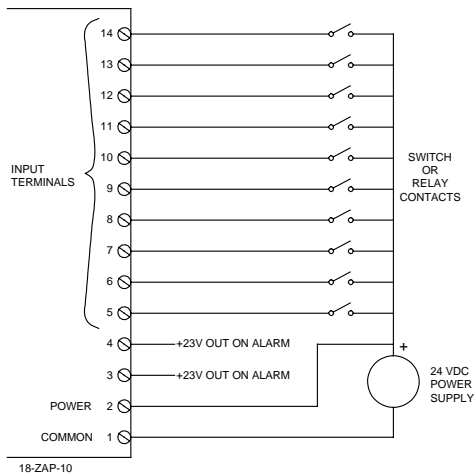


REAR VIEW DIMENSIONS



NOTE: FOUR 3/16 DIA. MTG HOLES
 ARE LOCATED AT THE REAR OF THE
 HOUSING. CENTERS ARE SPACED
 6-7/32 x 2-9/16 INCHES APART.

SURFACE BOX DIMENSIONS



FIELD WIRING DIAGRAMS

